

### 11-22U SecurePATCH® Complete Units (Standard Black Powder coat)

PART#	DESCRIPTION	HEIGHT	DEPTH
BSP-11U-6(x)	11U SecurePatch® with keyed Door	19.25"	6"
BSP-11U-12(x)	11U SecurePatch® with keyed Door	19.25"	12"
BSP-22U-6(x)	22U SecurePatch® with keyed Door	38.50"	6"
BSP-22U-12(x)	22U SecurePatch® with keyed Door	38.50"	12"

Replace (x) with door code: PK= Plexiglas, MK=Mesh, SK=Steel

### Tools needed for installation

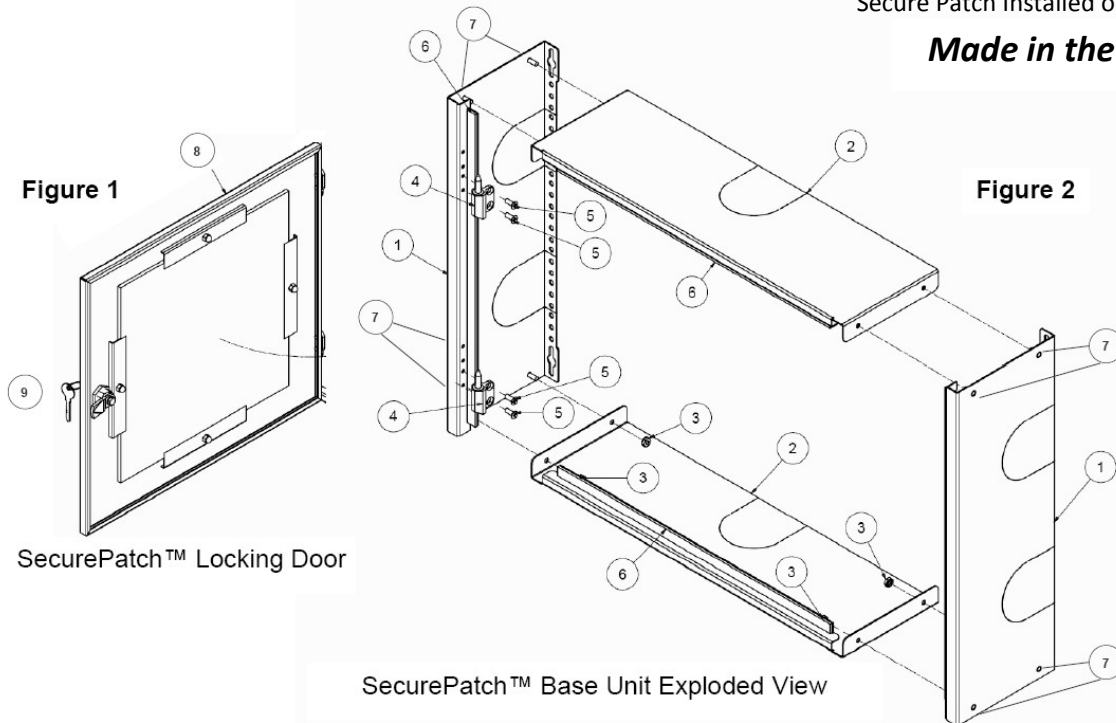
- Phillips head screw driver
- Small adjustable wrench

Item #	Description	Qty.
1	Secure Patch™ Side Panels (Has two+ knock-outs)	2
2	Secure Patch™ End Panels (Has one knock-out)	2
3	#10-32 Nut w/ External Tooth Lock Washer	8
4	Hinge, Male Portion with Washer	2
5	#10-32 x 1/2" L Flat Head Phil Screw, Black	4
6	Neoprene Gasket	Kitted
7	Side Panel #10-32 Bolts	Installed



Secure Patch Installed on 19" rack

**Made in the USA**



## SecurePatch™ Assembly Instructions

**Step 1:** Remove all parts from the packaging and lay out on clean non-abrasive surface. Be sure all parts have been included (See parts list above).

**Step 2:** Lay one of the Side Panels (#1) down with the installed bolts (#7) facing up. With the Neoprene gasket-ed edge (#6) facing you, take one of the End Panel (#2), and carefully insert the Side Panel bolt into the End Panel bolt holes. Be sure the Neoprene gasket edge on both the Side and End Panels are facing the same direction. Using two of the supplied #10-32 nuts with tooth lock washer hand tighten the nuts until snug.

## SecurePatch™ Assembly Instructions, cont...

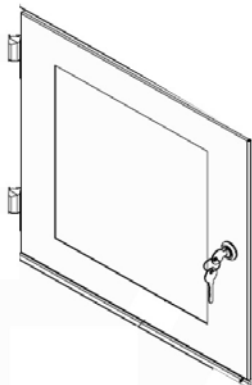
**Step 3:** With the one End Panel hand tightened, repeat step 2 with the other End Panel on the opposite end of the same Side Panel. Make sure the Neoprene gasketed edge (#6) is facing the same direction as the previously attached Side and End Panel. Using two of the supplied #10-32 nuts with tooth lock washer hand tighten the nuts until snug (See Figure 3).

**Step 4:** Lay the remaining side panel on a flat surface, then pick up the 3 piece assembly, (2 side and 1 end panel) With the neoprene gasket facing toward you, tilt the 3 piece assembly toward you and align the side panel holes to the mounting studs on the remaining end panel. Keep the Neoprene gasket edge facing the same direction as the other parts (See Figure 4). Using two of the supplied #10-32 nuts with tooth lock washer hand tighten the nuts until snug.

**Step 5:** With the SecurePATCH™ base unit complete lay the Side Panel with both End Panels hand tightened down, so that the Neoprene edge is facing up. Once all (8) nuts have been hand tightened with the supplied #10-32 nuts with tooth lock washer tighten the nuts with the adjustable wrench (Do not over tighten!).

**Step 6:** Determine the direction you need the door to swing. Then install the male hinges to the left or right side of the base unit as shown in figure (5).

**Step 7:** Remove all wire management doors or covers from the equipment to be covered. This is primarily important when using the 6" deep SecurePatch. (this includes but is not limited to doors on fiber boxes) These doors are no longer needed since the SecurePATCH™ unit will now serve as protection. Also, given the internal clearance, some doors will not open, once inside the SecurePATCH™. Note: If you are installing this unit over existing cable, determine at this point if you need to re-move any of the "horse shoe knock-outs".



**Step 8:** Install two rack screws (not provided) at the top of the rack units to be covered by the SecurePATCH™. Leave them extending, approx. 1/4 to 1/2".

**Step 9:** Hold the base unit on both side, (without door in-stalled) then "hang" the unit over the exiting equipment. In-stall additional rack screws in both sides of the Secure-PATCH™ to secure the unit. (minimum 3 screws per side),

**Step 10:** "hang" door on lift off hinged, while extended. Close the door, lock in place.

**Note:** Each of the side panels have optional accessories available to close off the open area left in the horseshoe knockouts.

*Sliding cover plates and brush grommet kits are available.*

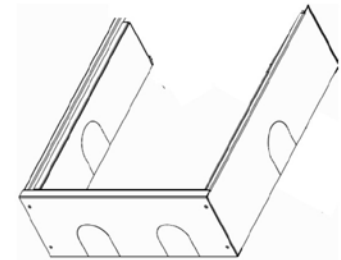


Figure 3

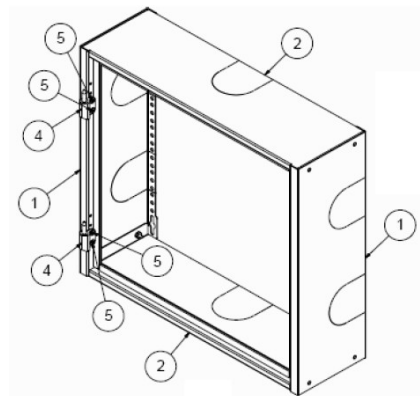


Figure 4

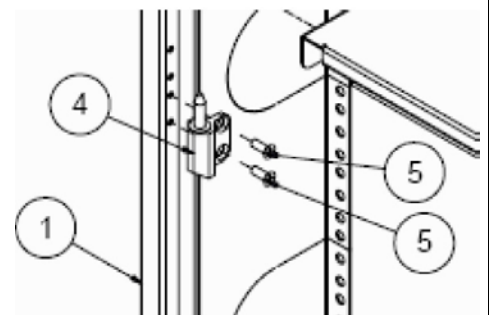


Figure 5